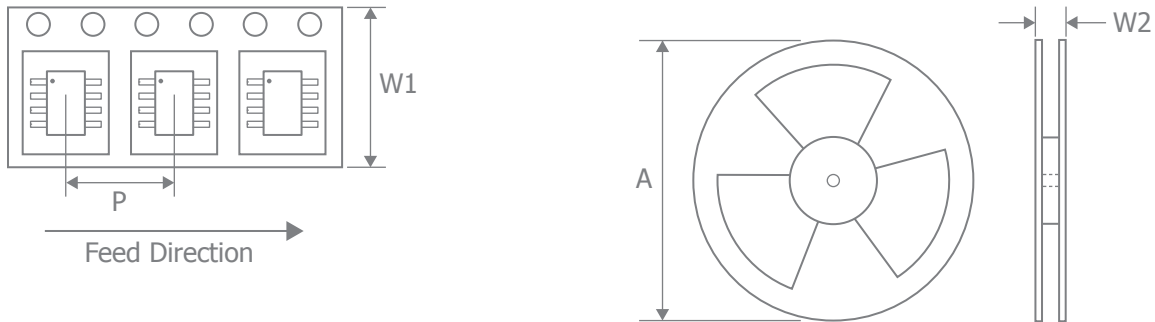


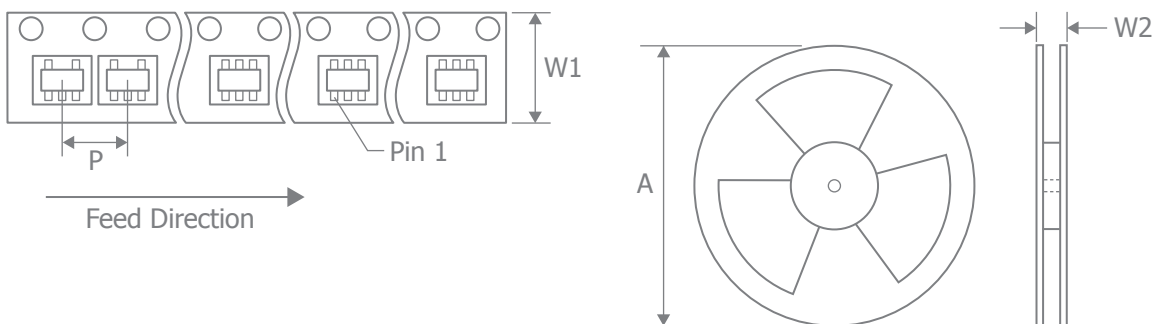
## Tape and Reel Specifications

### SOIC and TSSOP



Package Type Lead Count	Tape Size W1 (mm)	Pocket Pitch P (mm)	Single/Double Sprocket Holes	Units Per Reel	Reel Size A (inches)	Reel Width W2 (mm)
<b>SOIC</b>						
8 Ld (narrow)	12	8	Single	2500	13	18.4
14 Ld (narrow)	16	8	Single	2500	13	22.4
<b>TSSOP</b>						
14 Ld	12	8	Single	2500	13	18.4
16 Ld	12	8	Single	2500	13	18.4

### SOT23-5, SOT23-6, SC70-5 and SC70-6



Package Type Lead Count	Tape Size W1 (mm)	Pocket Pitch P (mm)	Single/Double Sprocket Holes	Units Per Reel	Reel Size A (inches)	Reel Width W2 (mm)
<b>SOT23</b>						
5 Ld	8	4	Single	1000/3000	7	14.4
6 Ld	8	4	Single	1000/3000	7	14.4
<b>SC70</b>						
5 Ld	8	4	Single	1000/3000	7	14.4
6 Ld	8	4	Single	1000/3000	7	14.4